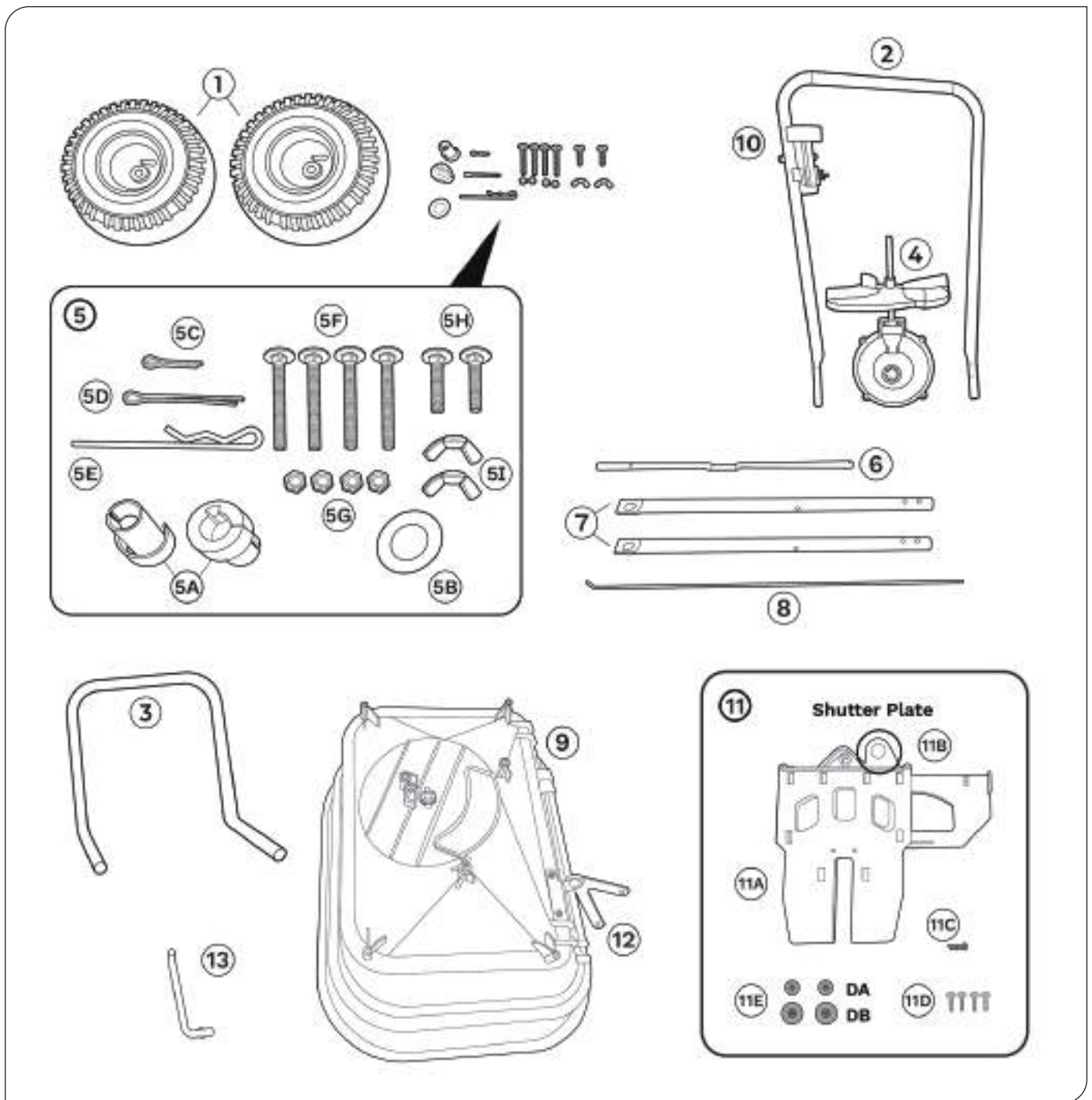


AccuPro ONE Manual



Spare Parts



Empty all contents of the box onto a flat surface and check parts to ensure all are present.

AccuPro ONE parts list

- | | | |
|------------------------------------|-----------------------|------------------------|
| 1. Pneumatic Wheel (X2) | 5E. Agitator | 10. Control Lever |
| 2. Handle Bar | 5F. M6×60 Bolts (X4) | 11. Slider pack |
| 3. Stand | 5G. M6 lock nuts (X4) | 11A. Shutter Plate |
| 4. Gear box and Impellor | 5H. M6 X35 Bolts | 11B. Adjuster |
| 5. Nuts & bolts package | 5I. M6 Wing Nut (X2) | 11C. R-pin Small |
| 5A. Axle bearing (X2) | 6. Axle | 11D. 4x Screws |
| 5B. Wheel Washer | 7. Lower Frame (X2) | 11E. 4x Washers |
| 5C. Small Cotter pin | 8. Control Rod | 12. Pivot Bracket |
| 5D. Large Cotter pin | 9. Hopper Body | 13. Pivot Rod |

Assembling your **AccuPro ONE**

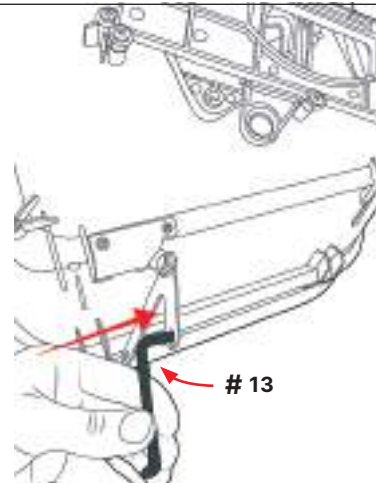
ASSEMBLING THE SHUTTER PLATE, LOWER FRAME AND STAND:

Tools required:



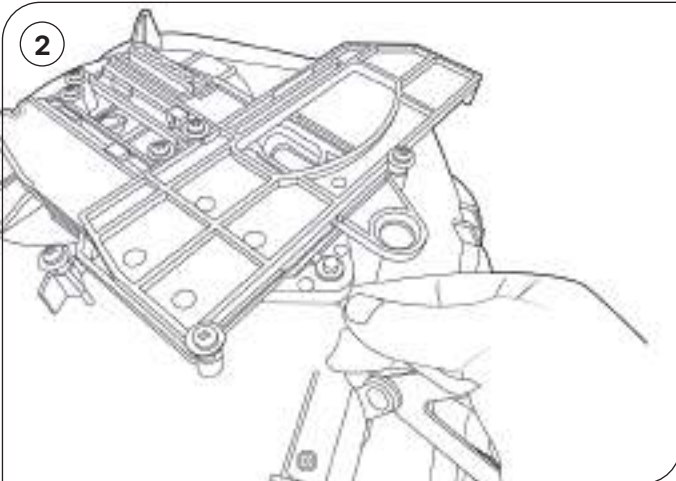
You will need a cross head screwdriver, one pair of pliers/grips and an M6 metric spanner.

1



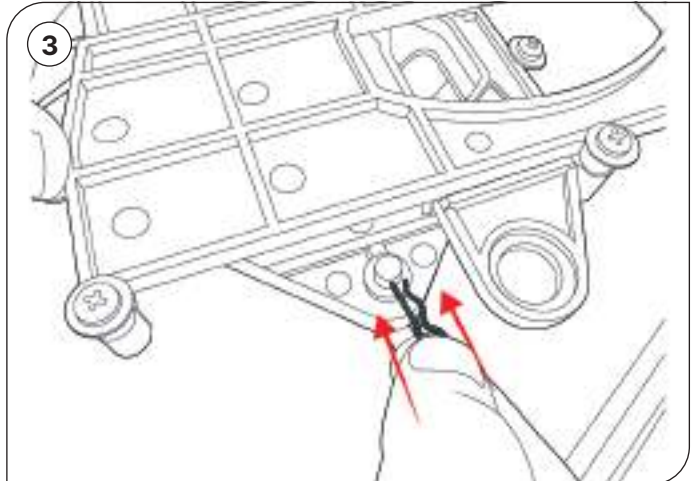
Locate the lower linkage (13) and place it through the pivot bracket (12).

2



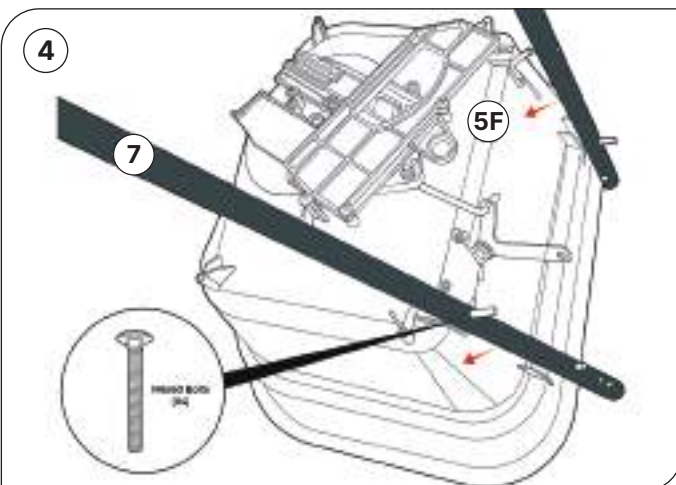
Push the free end of the lower linkage (13) through the center hole of the shutter plate.

3



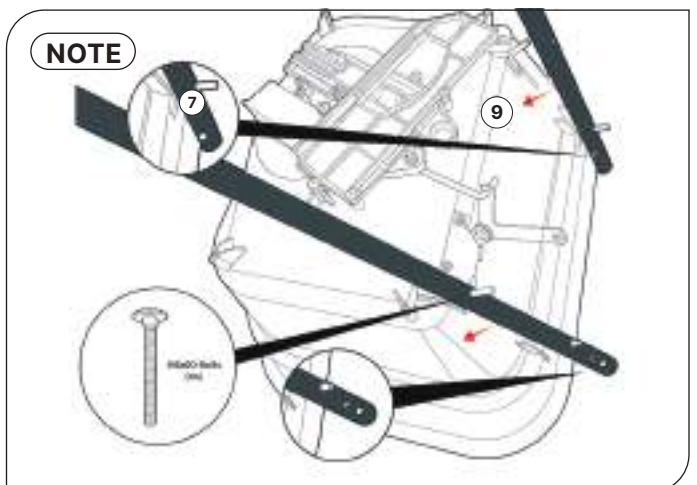
Secure the lower linkage (13) in place using the R pin small (11C) as shown.

4



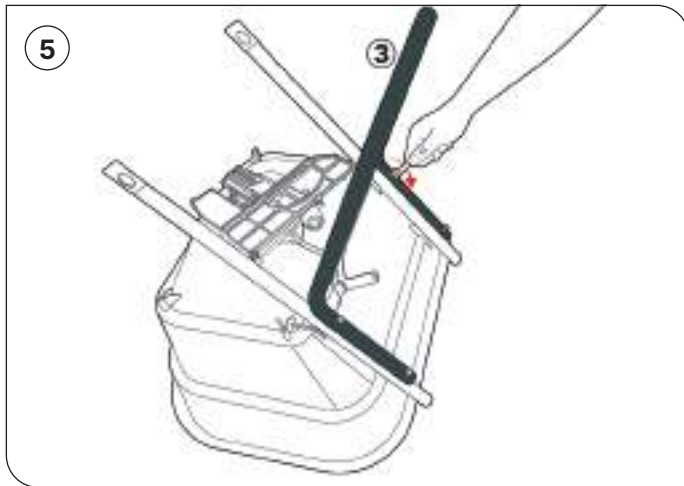
Take the two lower frames (7) and attach them to the hopper body (9) using the M6x60 bolts (5F). **SEE NOTE.**

NOTE



When placing the legs on the hopper, make sure the two holes on the side of the lower frame (Item 7) are on the outside. There should be one hole on the inside.

Assembling your **AccuPro ONE**

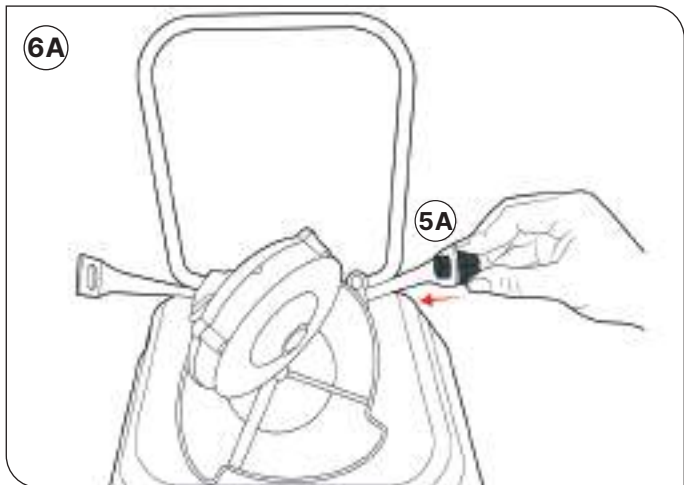


Take the stand (Item 3) and place it into the protruding M6×60 bolts (x4) (Item 5F). Tighten with the M6 nuts (x4) (Item 5G).



Rotate the hopper body (9) to the position shown. Place the gear box and impeller (4) in the center hole of the hopper body (9), let it rest there. **Make sure the arrow on the gearbox faces forwards. The arrow should point away from the stand (3).**

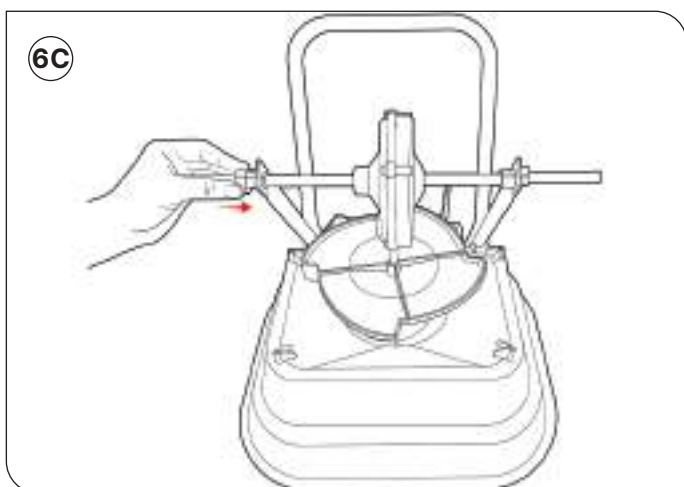
ATTACHING THE WHEELS:



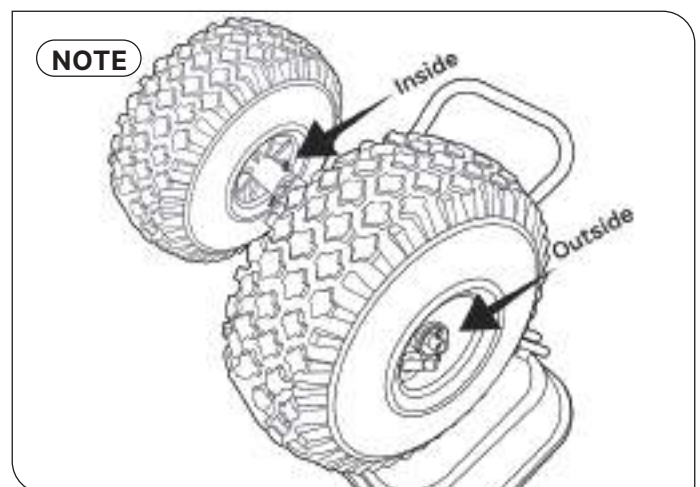
Place one axle bearing (Item 5A) into the hole shown at the bottom of the lower frame (7).



Feed the axle (6) through the hole without the axle bearing (Item 5A), push it through the hole in the centre of the gearbox and through the hole (Item 5A) on the other side.

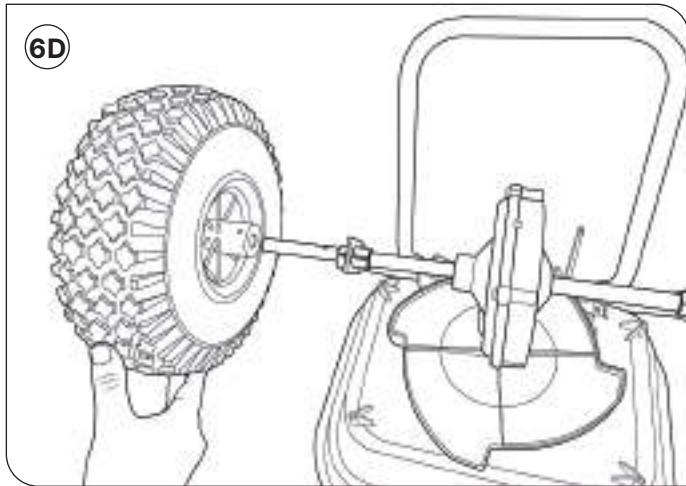


Push the other axle bearing (Item 5A) into position.

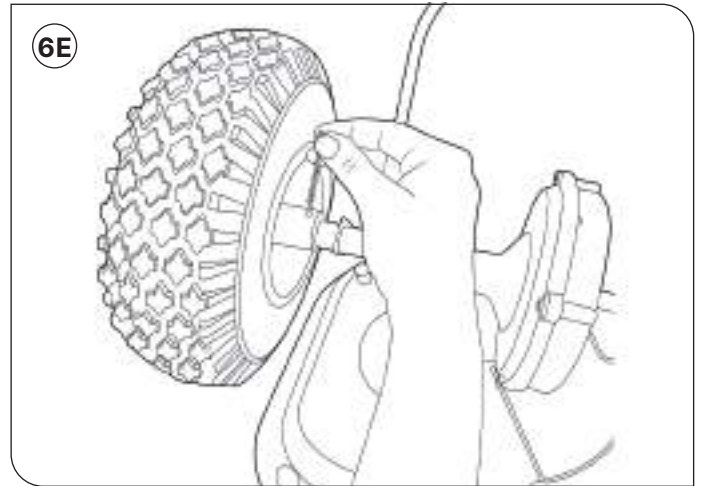


Note: The axle and gearbox are now in position. There are two holes on the axle. One hole is closer to the middle of the axle and the other hole is closer to the edge of the axle. When attaching the wheels: one wheel will be pinned on the inside of the wheel and the other will be pinned on the outside of the wheel.

Assembling your **AccuPro ONE**



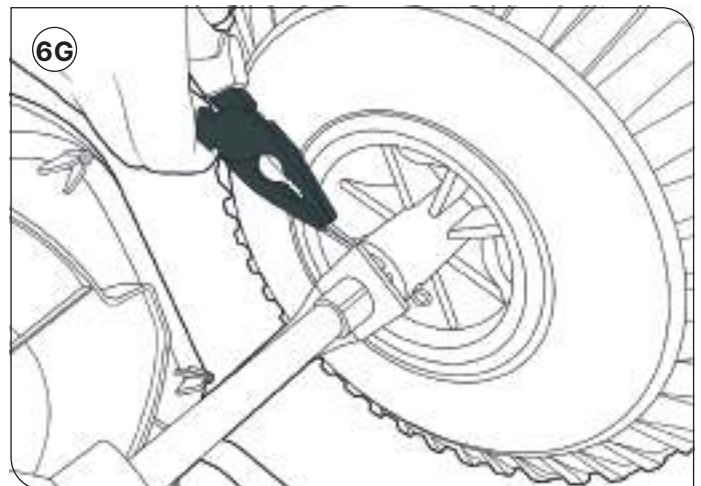
Take one of the pneumatic wheels. Push the wheel through the axle. Make sure the valve is located on the outside.



Take the long cotter pin and place it through the hole on the axle on the inside of the wheel.

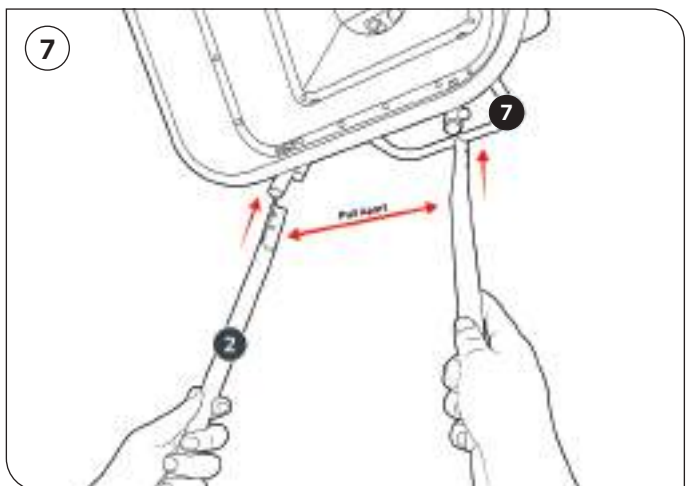


Attach the other pneumatic wheel. Take the small cotter pin (Item 5C) and the wheel washer (5B). Place the wheel washer over the axle and slide the cotter pin (item 5C) into the holes to fix the second wheel.

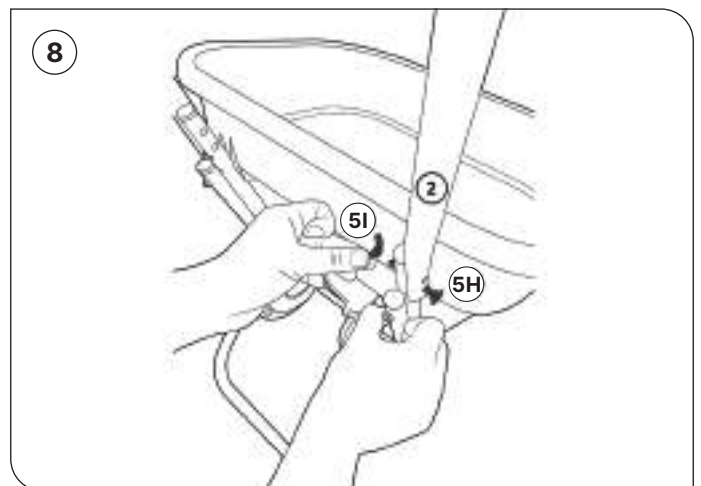


Use the pliers to split the cotter pins on both sides.

ASSEMBLING THE HANDLE BAR AND CONTROL ROD:

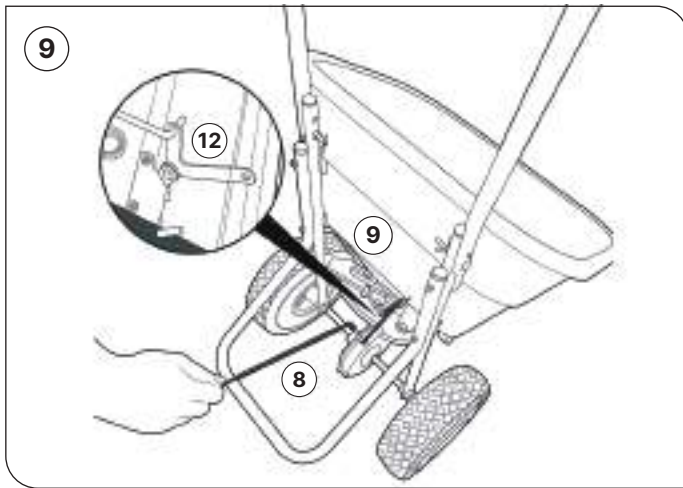


Flip the spreader onto its wheels and ensure they turn freely. Align the holes at the bottom of the handle bar (Item 2) with the holes at the top of the lower frame (Item 7). You may need to pull the ends apart slightly to place in position.

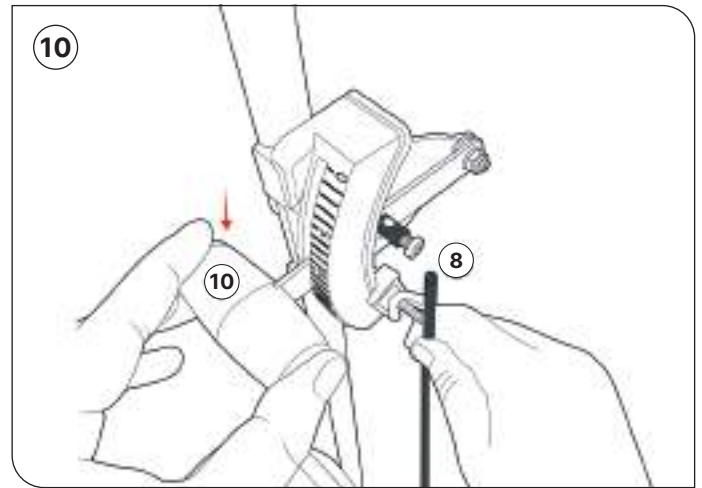


Thread the M6x35 bolt through the handle bar hole (Item 2) and lower frame (Item 7). Use the M6 wingnut to tighten. Repeat on opposite side.

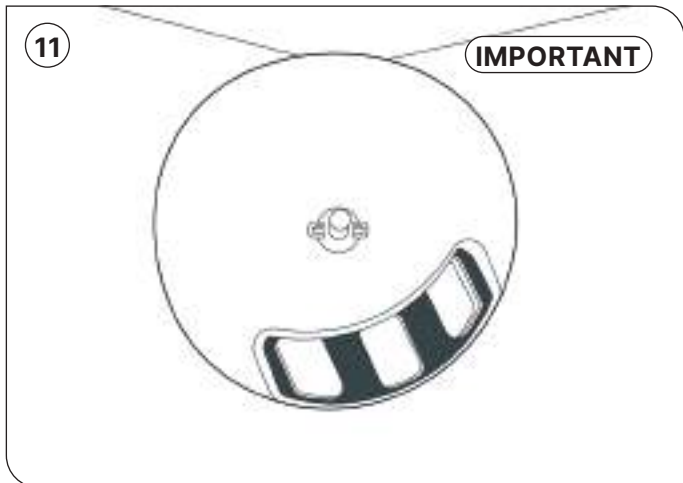
Assembling your **AccuPro ONE**



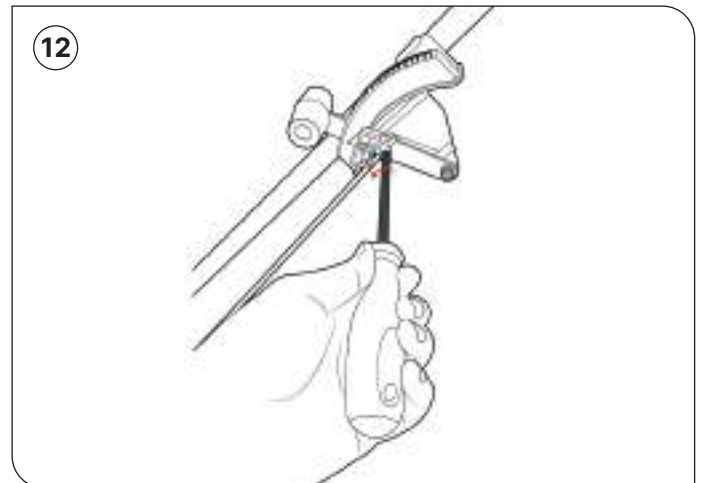
Protruding from the back of the hopper body (Item 9) is a V-shaped metal bracket (Item 12-pivot bracket). Clip the L shaped end of the control rod (Item 8) into the hole on the V-shaped metal bracket.



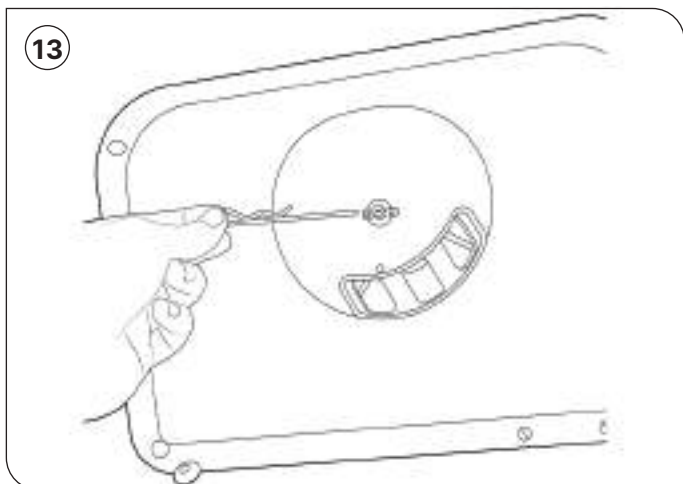
Feed the other end of the control rod (Item 8) through the hole at the back of the control lever (Item 10). Make sure you push the lever all the way to the bottom.



Before tightening the control rod. Make sure the application holes in the hopper are fully open and the control lever is set at 25.



Tighten the control rod, holding screw on the control lever (10).



Affix the agitator pin (Item 5E) through the impeller shaft inside the hopper.

How to use the **AccuPro ONE**

Step 1: Understand the application rate and settings



Application rate settings

Scan the QR-code on your fertilizer bag to find out the recommended g/m^2 and spreader application settings. If you experience any issues finding the correct spreader settings or application rates, please get in contact with your ICL sales representative.

Step 2: Walking patterns for the optimal application

When applying fertilizer please make sure you walk at 5 km/h and keep the hopper in a stable, level position.

Apply the fertilizer using a single or double pass application method as shown in images A; single pass or image B; double pass, taking into account the spread width of the material being applied.

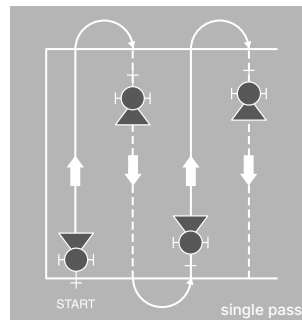


image A

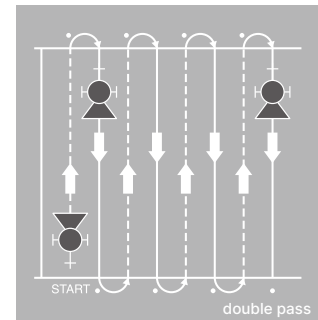


image B

Step 3: Cleaning and maintenance

Cleaning the spreader thoroughly will significantly enhance the lifespan of your spreader and improve it's ability to spread evenly next time you use it.



Use a hosepipe and water pressure to wash the spreader down completely and fully dry.



If the material in the hopper is dry and free from moisture, pour any remaining material back into the bag.

If the material has been contaminated by moisture, please **dispose of it in the manner specified by the manufacturer.**



Spray all bolts and nuts with a rust protecting lubricant.

ICL

Koeweistraat 4, 4181 CD Waardenburg
The Netherlands
Tel.: +31 (0) 418 655 700
Email: info@iclsf.com

For further information contact your
ICL Technical Area Sales Manager or
visit www.icl-growingsolutions.com

